

# SEMITRONICS CORP.

64 Commercial Street, Freeport, N.Y. 11520  
 Phone: (516) 623-9400 • Fax: (516) 623-6954

## S3PHBxxF Series

75 Amp  
 Three Phase Bridge Assembly

### FEATURES

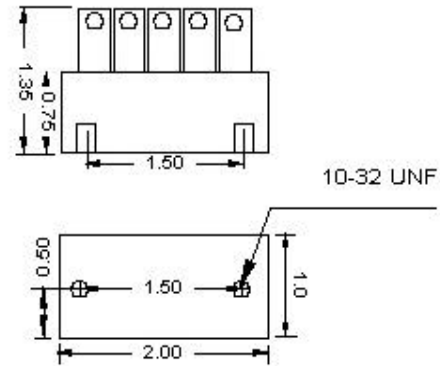
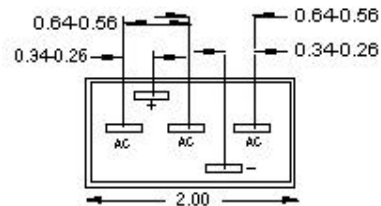
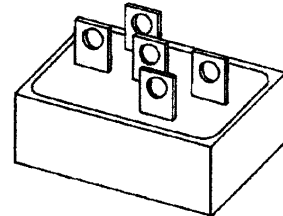
- Aluminum Case
- Hermetically Sealed Diodes
- 75 Ampere Output
- 150ns Fast Recovery
- Low Reverse Leakage
- Extended Operating Temperature
- MIL STX Screening Available

### APPLICATIONS

- High Reliability Power Supplies
- Switching Power Supplies
- Battery Back-Up Supplies
- High Current Switching

### DESCRIPTION

The S3PHB series is a 75 Amp, 150ns. Fast Recovery Three Phase Bridge Rectifier Assembly packaged in an Electrically Insulated Aluminum Case.  
 -55°C To 150°C Operating & Storage Temperature



TYPE NUMBER	PEAK INVERSE VOLTAGE PER LEG	MAXIMUM AVERAGE OUTPUT CURRENT DC		MAXIMUM FORWARD VOLTAGE @10 ADC PER LEG	REVERSE CURRENT PER LEG @ PIV		PEAK 1 CYCLE FORWARD SURGE	MAXIMUM REVERSE RECOVERY TIME
		50°C	100°C		25°C	100°C		
		Volts	Amps		Amps	Volts		
S3PHB01F	100	75	54	1.2	5	100	375	150
S3PHB02F	200	75	54	1.2	5	100	375	150
S3PHB04F	400	75	54	1.2	5	100	375	150
S3PHB06F	600	75	54	1.2	5	100	375	150
S3PHB08F	800	75	54	1.2	5	100	375	150
S3PHB10F	1000	75	54	1.2	5	100	375	150